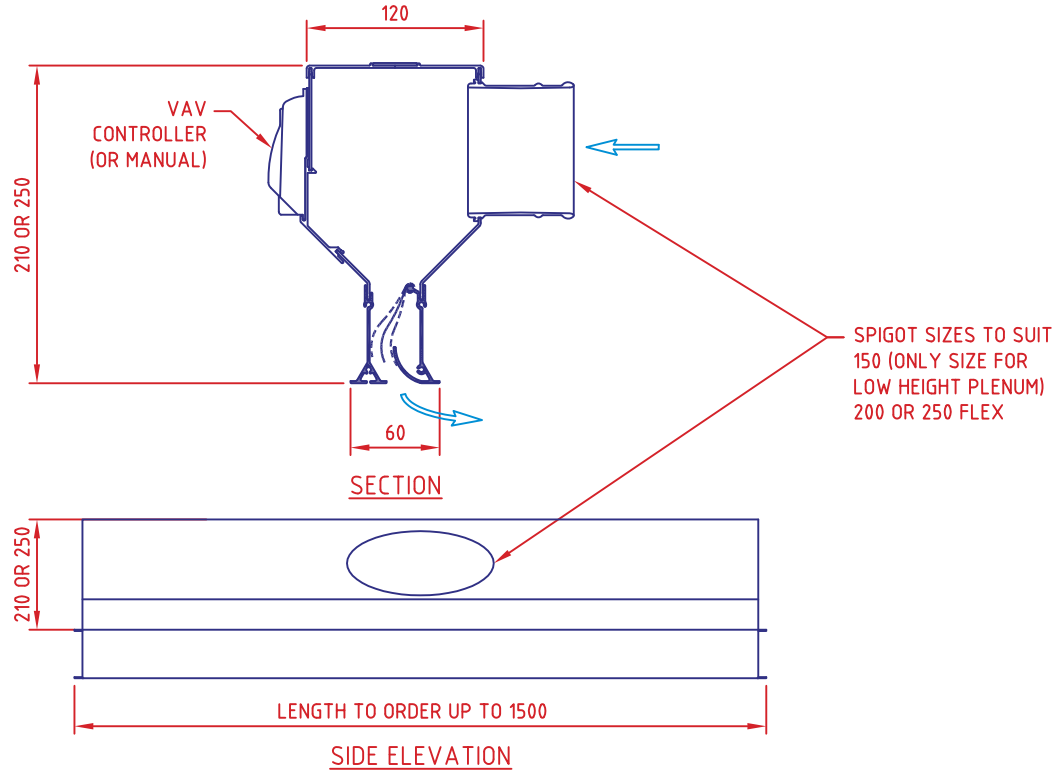
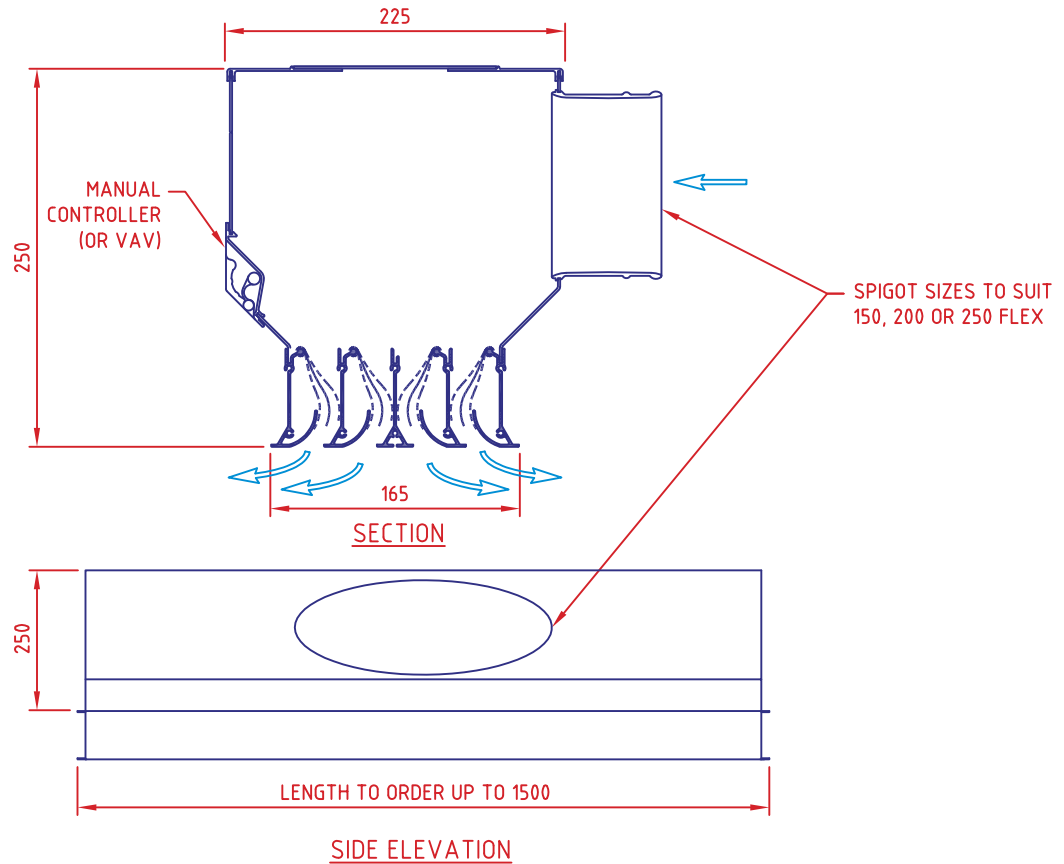


AIRLIGHT AIR DIFFUSERS

ONE SLOT



FOUR SLOT



NOTES

1. DIMENSIONS ARE IN MILLIMETRES
2. ONE, TWO, THREE AND FOUR SLOT DIFFUSERS ARE AVAILABLE
3. DIFFUSERS CAN BE ONE WAY OR TWO WAY (2 OR MORE SLOTS) BLOW
4. WHEN PLENUM INSULATION IS REQUIRED ADD INSULATION THICKNESS TO PLENUM HEIGHT.