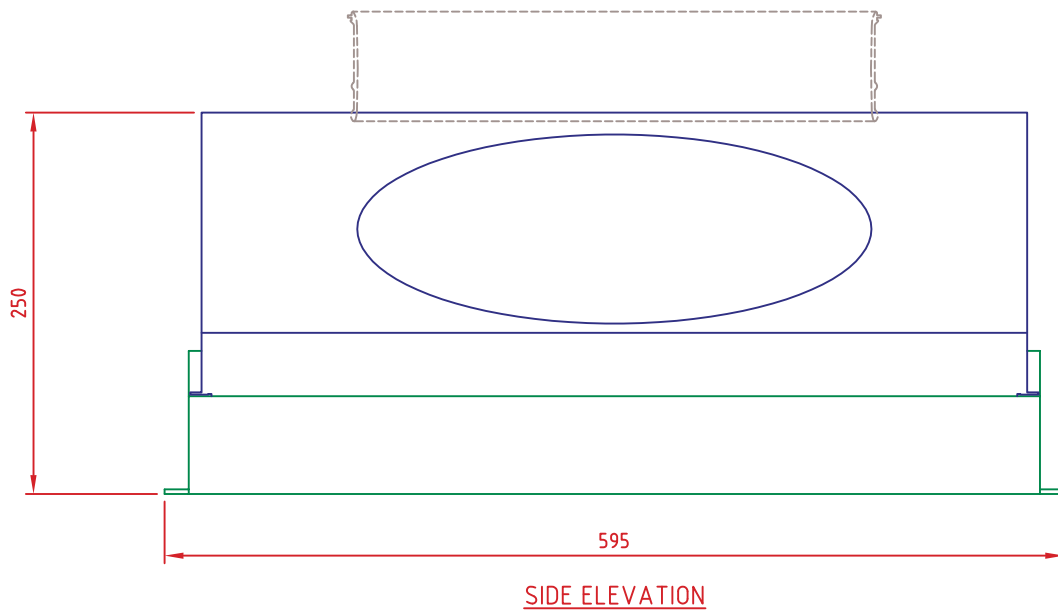
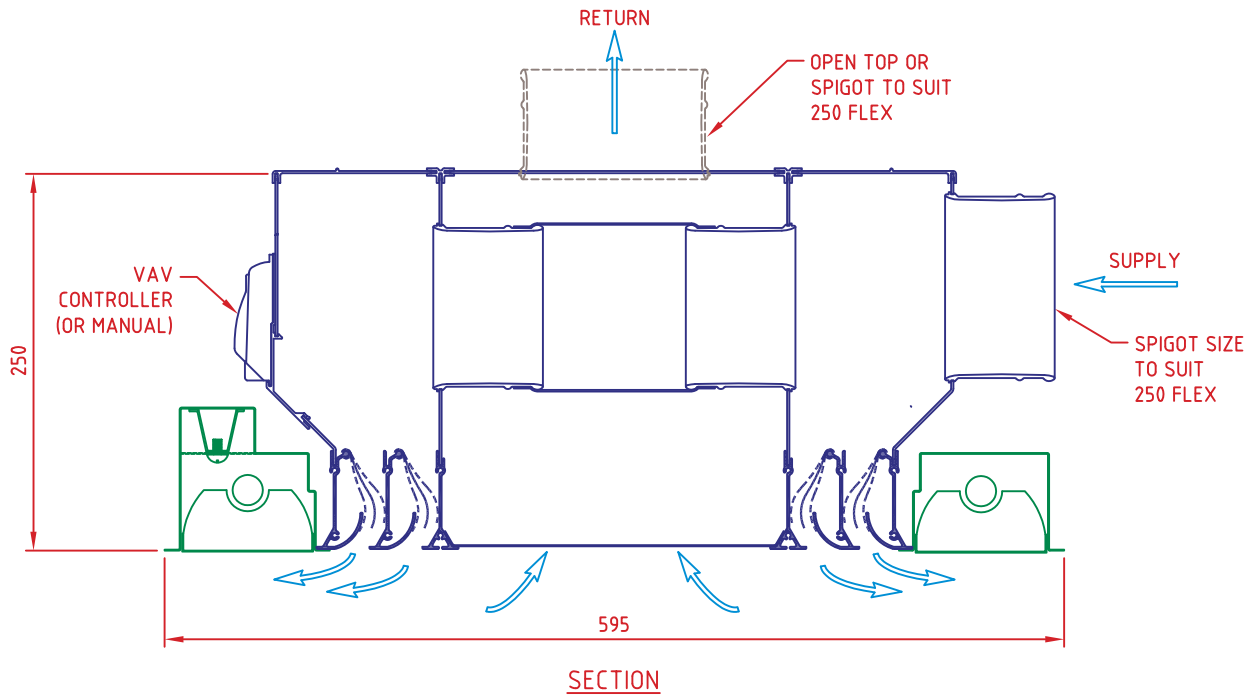
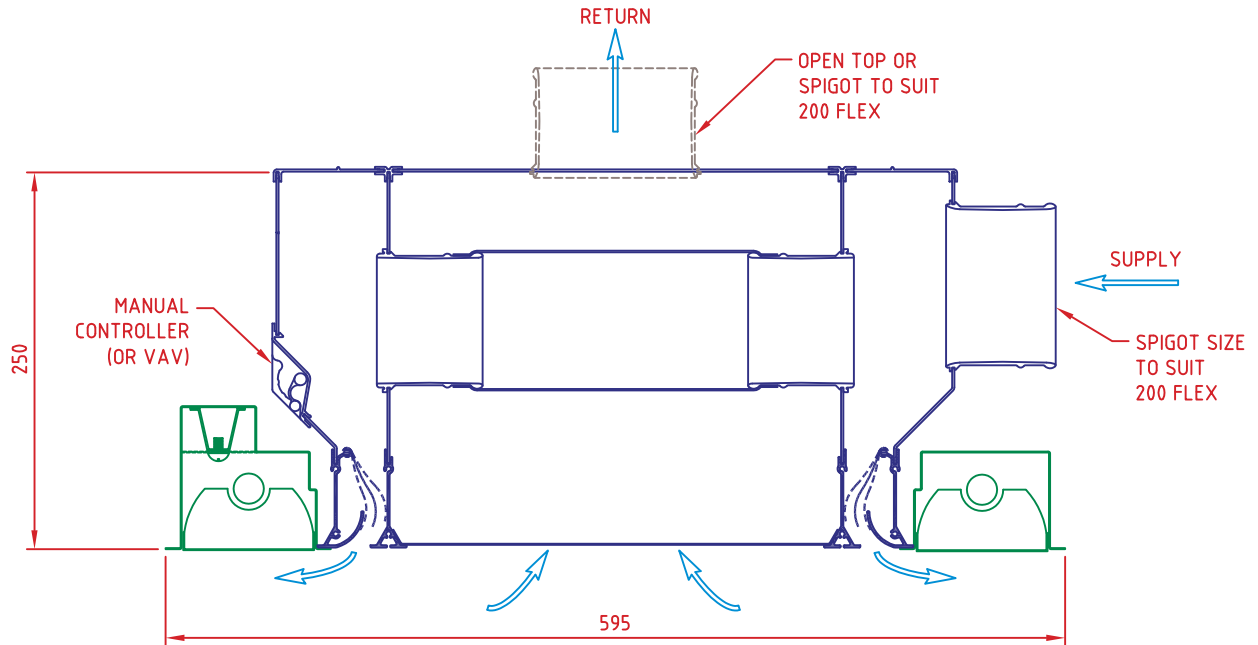


4 SLOT SUPPLY + RETURN AIR MODULE

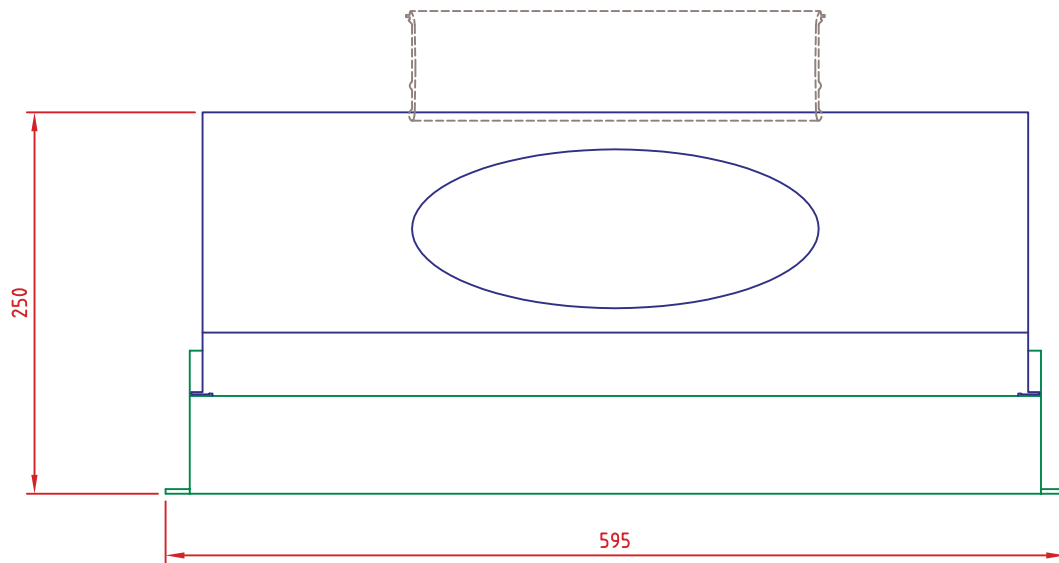


SEE NOTES ON PAGE 2

2 SLOT SUPPLY + RETURN AIR MODULE



SECTION



SIDE ELEVATION

NOTES

1. DIMENSIONS ARE IN MILLIMETRES
2. SPECIAL WIDTHS, LENGTHS AND CUSTOM DETAILS CAN BE PRODUCED TO ORDER. NOMINAL LENGTHS ARE TO SUIT T5 FLUORESCENT TUBES (600, 900, 1200, 1500)
3. WHEN PLENUM INSULATION IS REQUIRED ADD INSULATION THICKNESS TO PLENUM HEIGHT.