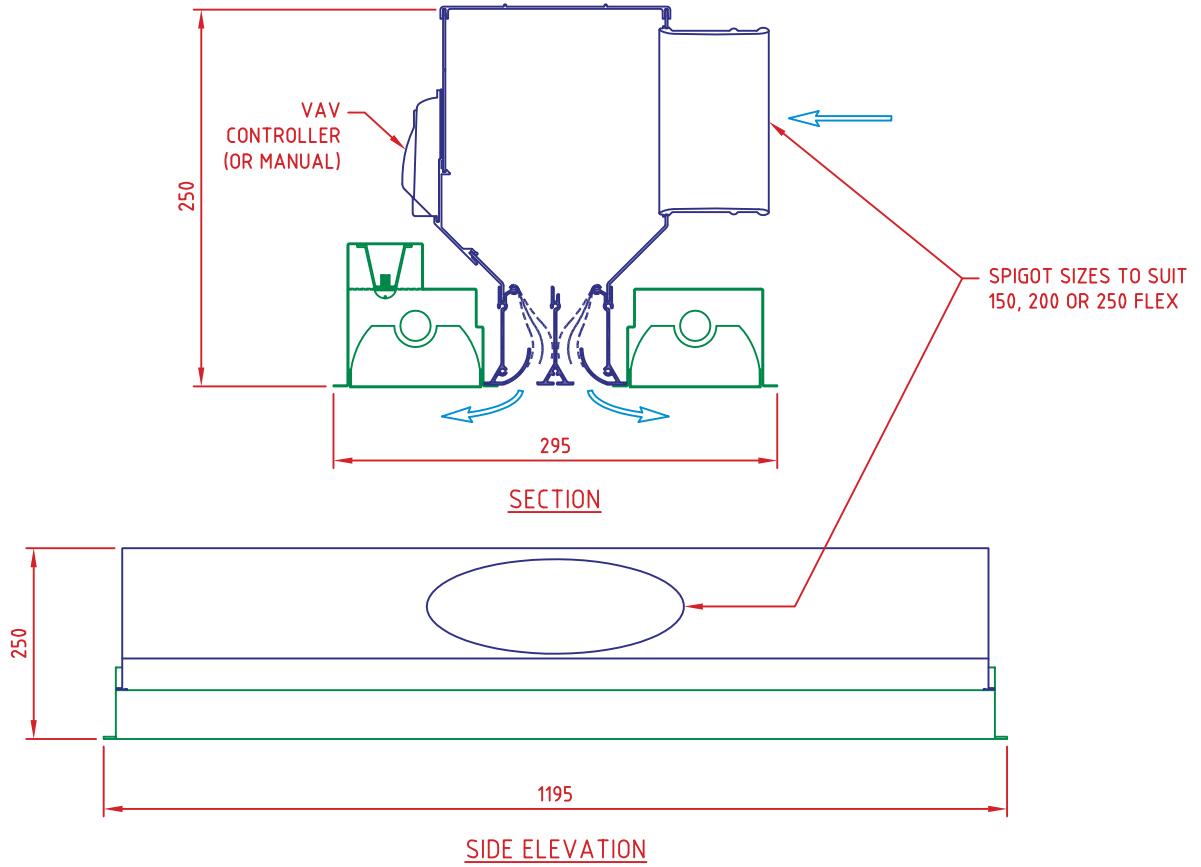
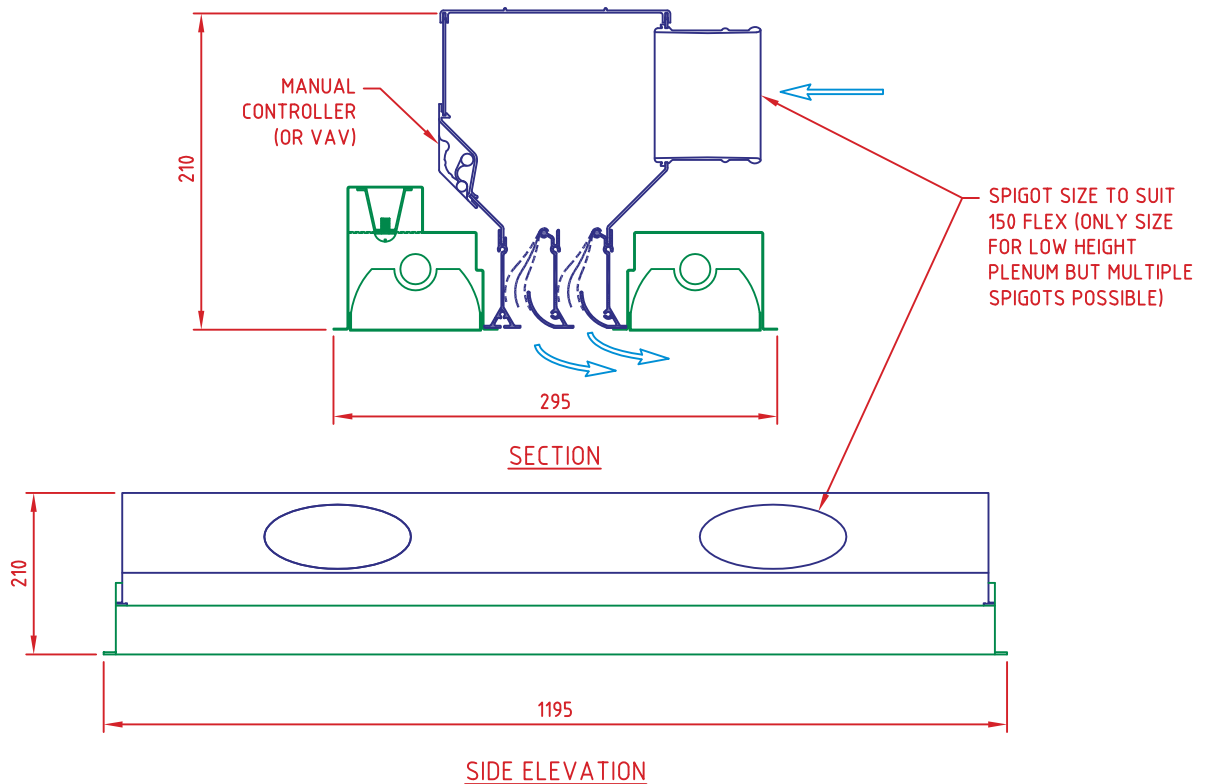


STANDARD HEIGHT 2 WAY BLOW

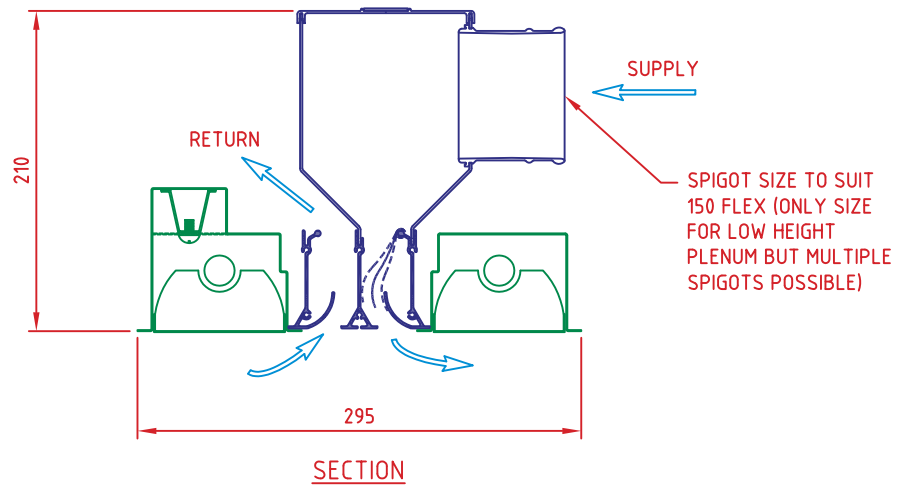


LOW HEIGHT 1 WAY BLOW

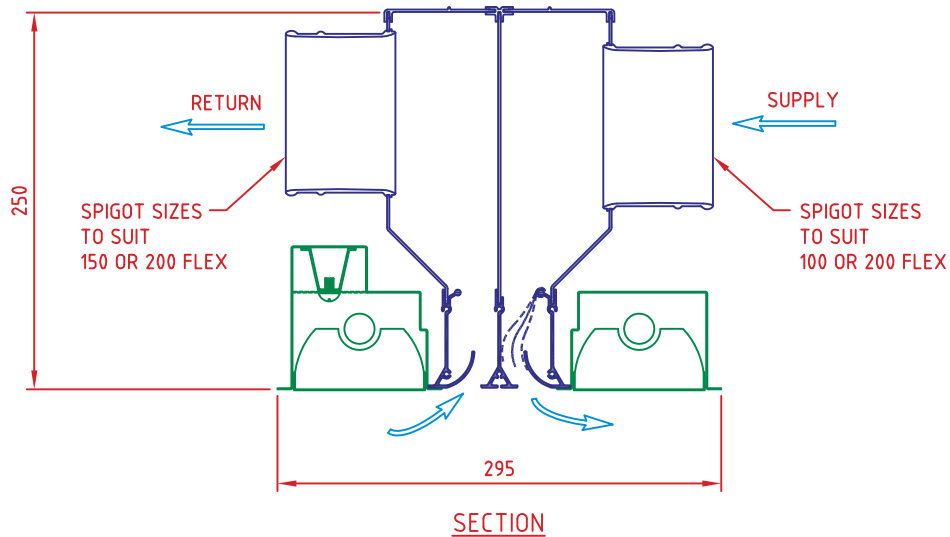


SEE NOTES ON PAGE 2

SUPPLY + RETURN AIR MODULE



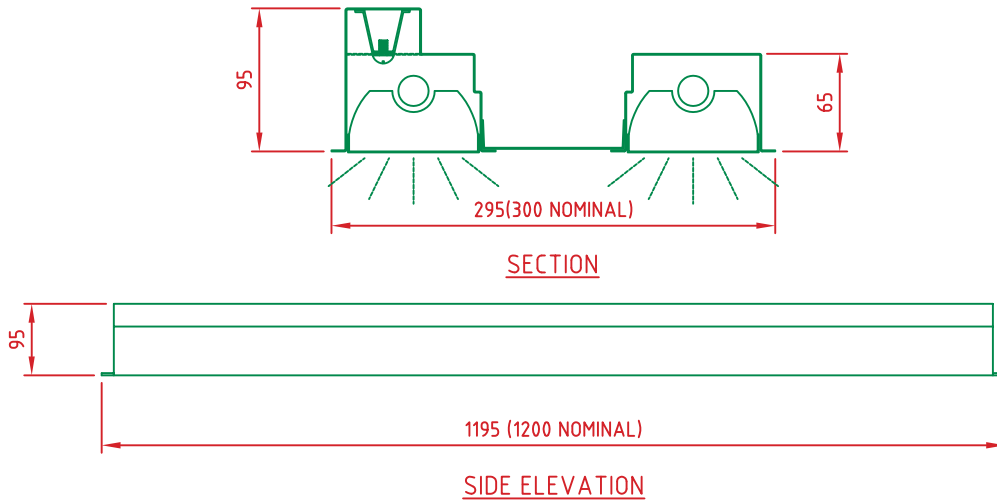
SUPPLY + DUCTED RETURN AIR MODULE



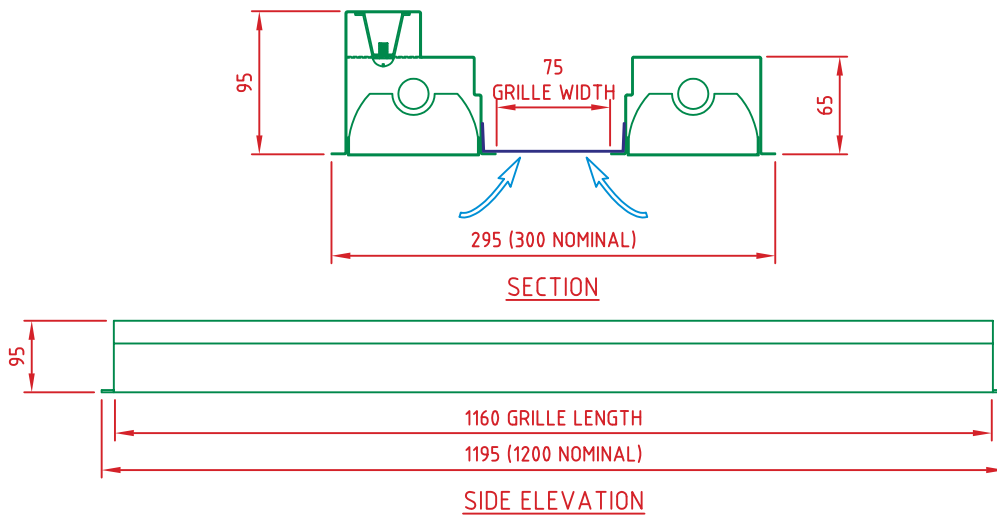
NOTES

1. DIMENSIONS ARE IN MILLIMETRES
2. SPECIAL WIDTHS, LENGTHS AND CUSTOM DETAILS CAN BE PRODUCED TO ORDER. NOMINAL LENGTHS ARE TO SUIT T5 FLUORESCENT TUBES (600, 900, 1200, 1500)
3. WHEN PLENUM INSULATION IS REQUIRED ADD INSULATION THICKNESS TO PLENUM HEIGHT.

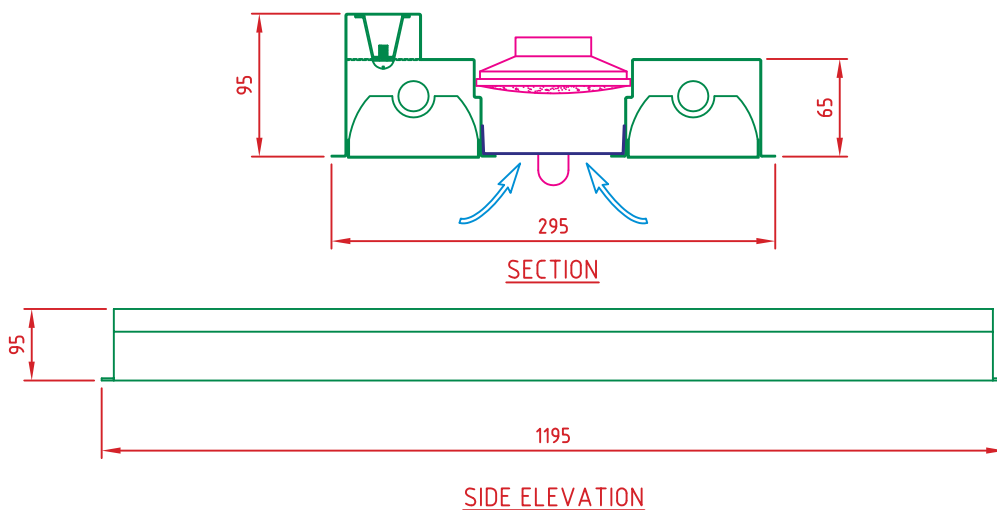
LIGHT MODULE



LIGHT MODULE + RETURN AIR MODULE



LIGHT MODULE + RETURN AIR MODULE + ANCILLARY SERVICES (SPEAKER, DETECTOR)



SEE NOTES ON PAGE 2